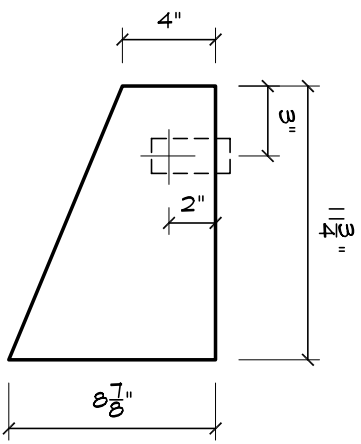
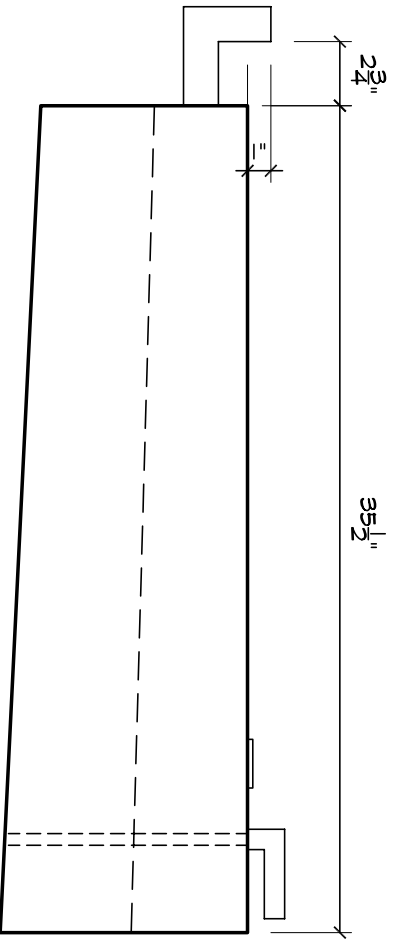


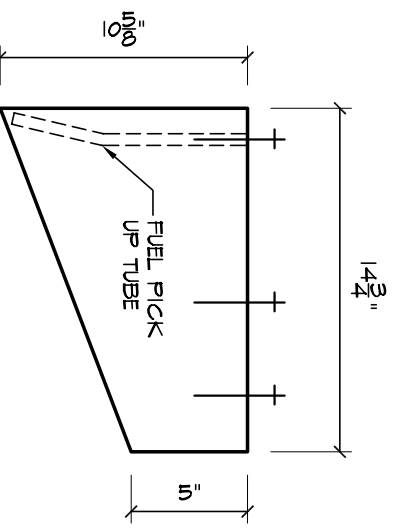
- NOTES:
- 1) TANK CAPACITY APPROX 16 GAL
 - 2) MATERIAL: ALUMINIUM
 - 3) TANK IS TO CONFORM TO ALL ABYC AND USCG REQUIREMENTS
 - 4) 2" MAX HEIGHT OF FITTINGS ABOVE TOP OF TANK



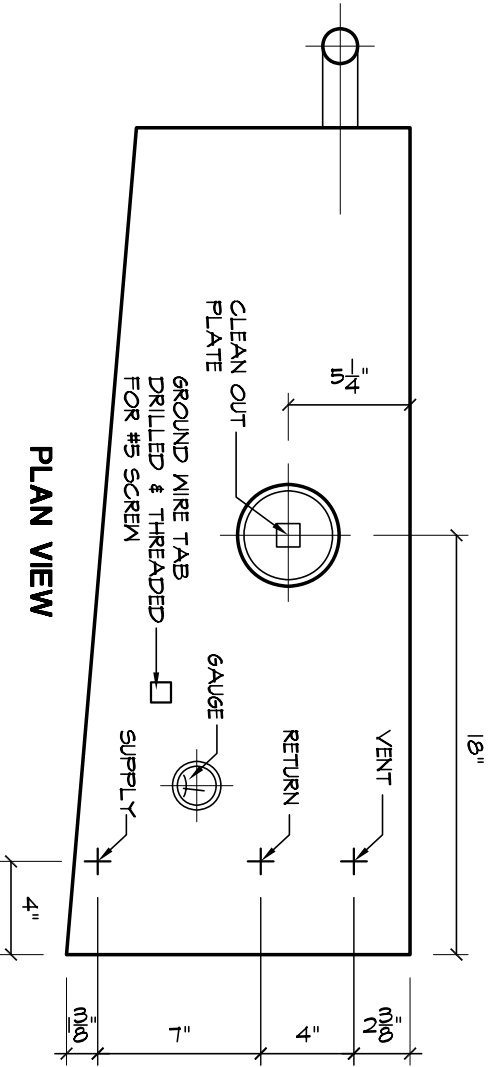
FORWARD END



FRONT VIEW



AFT END



PLAN VIEW

J30 DIESEL FUEL TANK

LUTHERS WELDING AND REPAIR
500 WOOD ST
BRISTOL, RI 02809

PHONE (401) 253-5550
FAX (401) 396-9314